

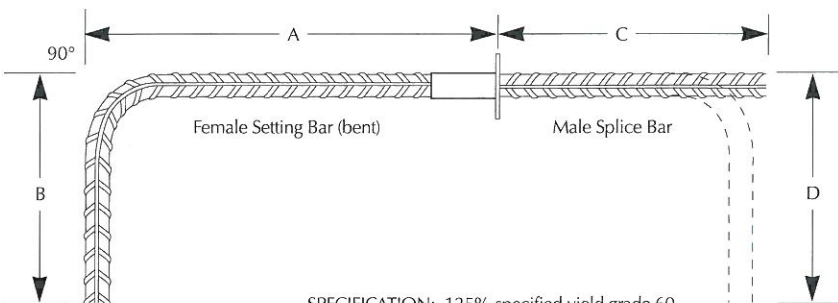
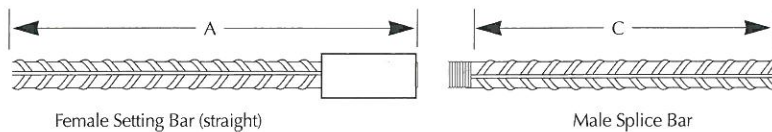


3 EUCKER STREET RIDGEFIELD PARK, NJ 07660  
 201.641.2880 FAX 201.641-0847

1-877-SHORING

www.edconline.com

Date \_\_\_\_\_  
 Requested by \_\_\_\_\_  
 Company \_\_\_\_\_  
 Address \_\_\_\_\_  
 \_\_\_\_\_  
 Tel. \_\_\_\_\_  
 Fax \_\_\_\_\_  
 Job Name \_\_\_\_\_  
 Job Location \_\_\_\_\_



SPECIFICATION: 125% specified yield grade 60

Qty.	Size	Epoxy or Black	Flange Y/N	Female Setting Bar		Male Splice Bar		Quoted Net Price	
				"A" Feet - Inches	"B" Feet - Inches (If necessary)	"C" Feet - Inches	"D" Feet - Inches (If necessary)	Each	Total
				-	-	-	-		
				-	-	-	-		
				-	-	-	-		
				-	-	-	-		
				-	-	-	-		
				-	-	-	-		
				-	-	-	-		
				-	-	-	-		
				-	-	-	-		
				-	-	-	-		
				-	-	-	-		
				-	-	-	-		
				-	-	-	-		
				-	-	-	-		
				-	-	-	-		
				-	-	-	-		
				-	-	-	-		
				-	-	-	-		
				-	-	-	-		
				-	-	-	-		

Available within _____ work days <small>From receipt of signed contract or P.O.</small>	Ship Via _____	F.O.B. _____	Estimated Freight Charges _____	Quote Valid For _____ Days
--	----------------	--------------	---------------------------------	----------------------------

The above prices do not include applicable taxes. All quotations are contingent upon availability of materials and any and all causes beyond our control. Prices are based on costs and conditions existing at the date of quotation and are subject to change by EDC before final acceptance. No agreement of any kind will exist between us and until EDC receives a signed contract approved by EDC.

Quoted by: \_\_\_\_\_ Date quoted: \_\_\_\_\_

I wish to purchase the above items as quoted. I understand and agree to EDC's terms and conditions as stated on the attached sheet.

Company: \_\_\_\_\_ Accepted by X \_\_\_\_\_

Date: \_\_\_\_\_ Print Name \_\_\_\_\_