



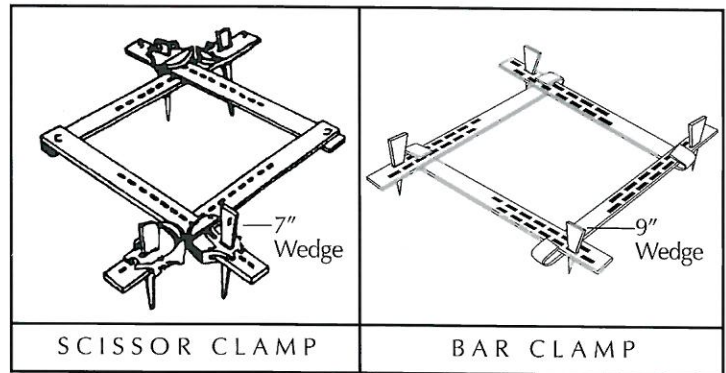
FORMING

Adjustable Steel Column Clamps

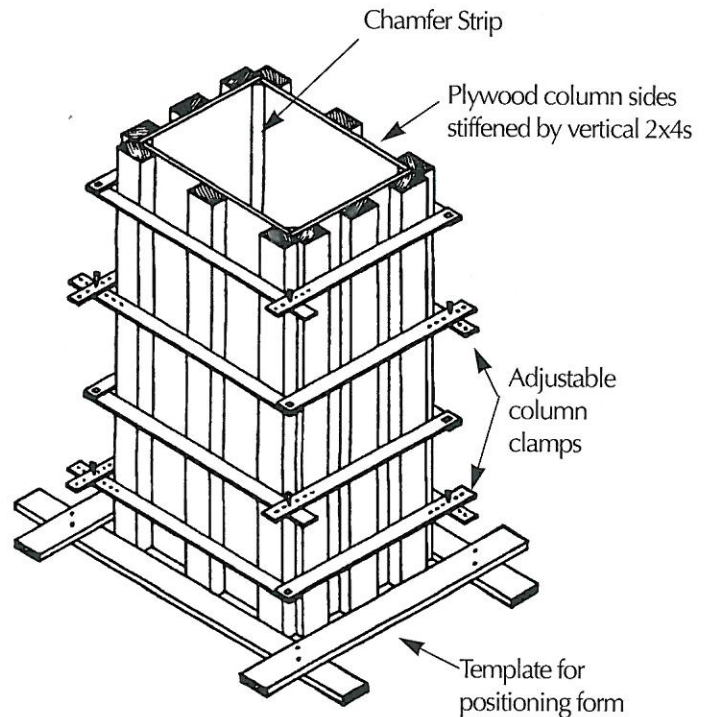
Easy to handle. Quickly erected.
 No tools required. Safer than wood.
 Compact design for economical shipping and storage.

3 Eucker St., Ridgefield Park, NJ 07660
 201.641.2880 fax.201.641.0847

Specifications & Spacing Table			
Clamp Size	3	4	5
Bar Size	2 1/2" x 1/4"	2 1/2" x 5/16"	3" x 3/8"
Weight/Set	31 lbs.	45 lbs.	85 lbs.
Form Size	12" to 27"	15" to 39"	26" to 51"



Form Size - Outside to Outside Clamp Spacing for 10' 0" lift			
10'	Up to 27"	Up to 39"	Up to 51"
	6"	6"	6"
	28"	18"	16"
	22"	18"	16"
			14"
	18"	16"	12"
	16"	12"	10"
		10"	10"
	12"	8"	6"
		8"	6"
12"	6"	6"	
	6"	6"	
6"	6"	6"	
	6"	6"	
Clamps required	7 Sets	11 Sets	12 Sets
Pour rate/hour	10'	10'	8'
Max. deflection	1/16"	1/8"	1/4"



To order or for more information, call toll free

1-877-SHORING
www.edconline.com