



3 Eucker St., Ridgefield Park, NJ 07660  
201.641.2880 fax.201.641.0847

# FORMING

## MFG One-Piece Round Column Forms

MFG (Molded Fiber Glass) One-Piece Round Column Forms have only one vertical seam, and are supplied with bracing collars and "fast" bolts.

### ***MFG***

**Easy to Use:** lightweight Fiber Glass Reinforced Plastic (FRP) construction makes installing, pouring and stripping a simple task.

**Easy to Maintain:** manufactured of FRP, these forms will not dent, sag, rust or weather.

**Economical:** MFG forms are designed to be used again and again.

**Easy to Ship & Store:** these forms nest using less shipping space than other types of forms.

**MFG** One Piece Round Column Forms have only one vertical seam, are supplied with bracing collars and "fast" bolts.

**Setup**



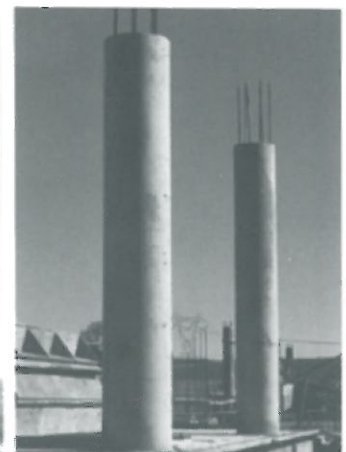
**Pour**



**Strip**



**Finished**



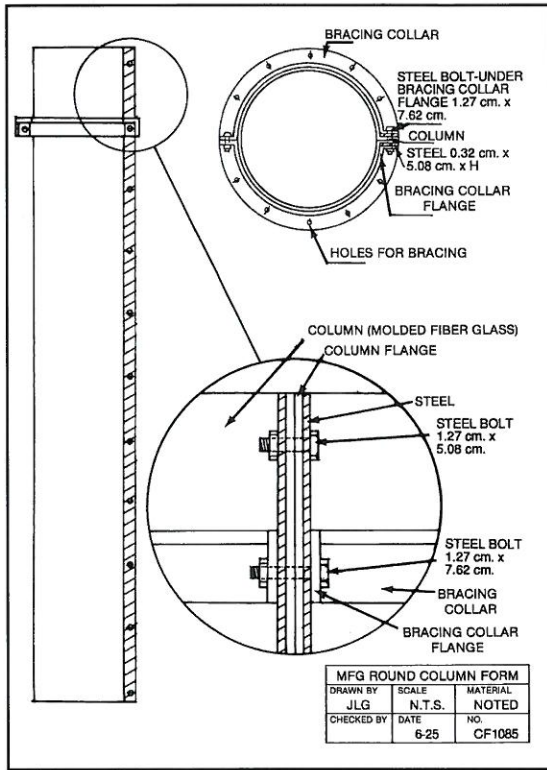
To order or for more information, call toll free

**1-877-SHORING**  
[www.edconline.com](http://www.edconline.com)

# MFG One-Piece Round Column Forms



D I S T R I B U T O R S



## Maximum Lateral Pressure for MFG Round Column Forms:

It is recommended that maximum lateral pressure should not exceed 2,250 psf.

Column Diameter	Length Up To	Approximate Wt. Per Lineal Ft.	Approx. Volume of Concrete PLF
12"	20'	9.9 lbs.	.8 cu. ft.
14"	20'	10.0 lbs.	1.0 cu. ft.
16"	20'	11.1 lbs.	1.4 cu. ft.
18"	20'	12.3 lbs.	1.8 cu. ft.
20"	20'	13.1 lbs.	2.2 cu. ft.
22"	20'	14.2 lbs.	2.6 cu. ft.
24"	20'	15.2 lbs.	3.1 cu. ft.
26"	20'	16.2 lbs.	3.6 cu. ft.
28"	20'	17.3 lbs.	4.2 cu. ft.
30"	20'	18.4 lbs.	4.9 cu. ft.
32"	20'	19.5 lbs.	5.5 cu. ft.
34"	20'	20.5 lbs.	6.3 cu. ft.
36"	20'	21.5 lbs.	7.0 cu. ft.
38"	20'	22.6 lbs.	7.9 cu. ft.
40"	20'	23.7 lbs.	8.7 cu. ft.
42"	20'	24.8 lbs.	9.6 cu. ft.
44"	20'	25.8 lbs.	10.6 cu. ft.
46"	20'	26.8 lbs.	11.5 cu. ft.
48"			12.6 cu. ft.

## Maximum Rate of Pour

At 90° F: 20 ft. per hour  
 At 80° F: 18 ft. per hour  
 At 70° F: 16 ft. per hour  
 At 60° F: 14 ft. per hour  
 At 50° F: 11 ft. per hour  
 At 40° F: 9 feet per hour

Applies only for normal weight concrete made with Type I cement, no admixtures or pozzolans, slump no more than 4 inches, and vibration depth limited to 4 feet or less.